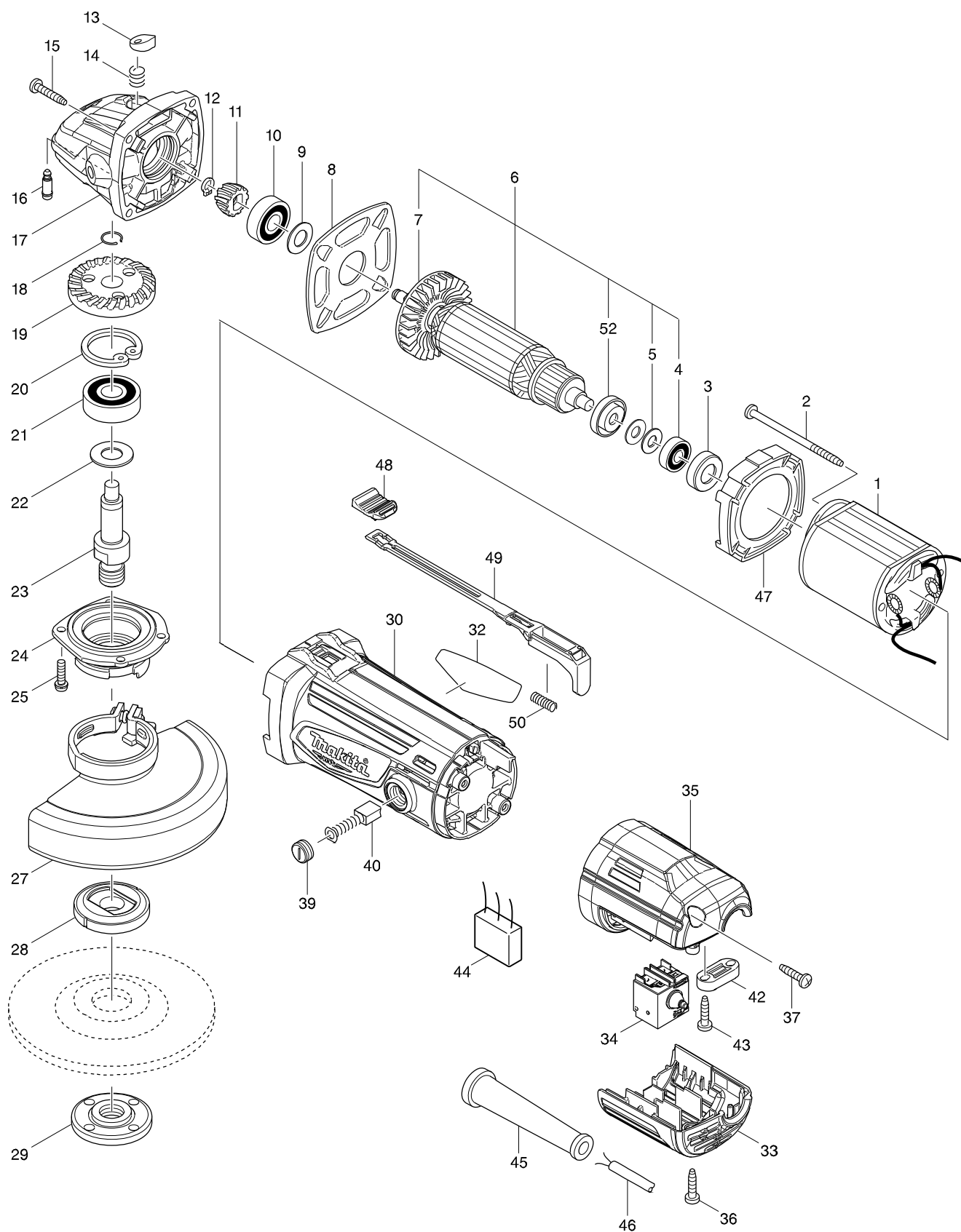


# Číslo typu M9502R 115MM ANGLE GRINDER



Položka	Číslo dílu	Popis	Změn	Množstv	N/O	Možnost 1	Možnost 2	Poznámka
001	593898-7	FIELD ASSEMBLY 220-240V		1				
C10	654221-2	RING TERMINAL		2				
C20	654501-6	CONNECTOR P-1.25		2				
002	266325-4	TAPPING SCREW 4X70		2				
003	421808-3	RUBBER RING 19		1				
004	210062-2	BALL BEARING 607ZZ		1				
005	267245-5	FLAT WASHER 7		2				
006	510173-6	ARMATURE ASSEMBLY 240V		1				
D10		INC. 4,5,7,52						
007	240059-7	FAN 50		1				
008	285704-7	BEARING RETAINER 69		1				
009	267256-0	FLAT WASHER 10		1				
010	210067-2	BALL BEARING 6000ZZ		1				
011	227451-4	SPIRAL BEVEL GEAR 11		1				
012	961002-0	RETAINING RING S-6		1				
013	417771-6	PIN CAP		1				
014	233376-2	COMPRESSION SPRING 8		1				
015	266324-6	TAPPING SCREW 4X22		4				
016	256486-8	SHOULDER PIN 4		1				
017	140433-8	GEAR HOUSING COMPLETE		1				
C10	213445-5	O-RING 26		1				
018	233950-6	RING SPRING 11		1				
019	227452-2	SPIRAL BEVEL GEAR 36		1				
020	962151-6	RETAINING RING R-32		1				
021	211129-9	BALL BEARING 6201DDW		1				
022	267238-2	FLAT WASHER 12		1				
023	325978-9	SPINDLE		1				
024	318374-8	BEARING BOX		1				
025	265100-5	PAN HEAD SCREW M4X16		4				
027	123098-1	WHEEL COVER 115AK ASS'Y		1				
C10	213009-5	O RING 4		1				
C20	265180-1	PAN HEAD SCREW M5X16		1				
028	224415-9	INNER FLANGE 42		1				
029	224554-5	LOCK NUT 14-45		1				
030	143511-3	MOTOR HOUSING COMPLETE		1				
C10	643455-2	BRUSH HOLDER 6X9		2				
032	851S80-1	M9502R NAME PLATE		1				
033	456383-0	LOWER REAR COVER		1				
034	650769-2	SWITCH		1				
035	456382-2	UPPER REAR COVER		1				
036	266326-2	TAPPING SCREW 4X18		1				
037	266326-2	TAPPING SCREW 4X18		2				
039	643987-9	BRUSH HOLDER CAP 5-8		2				
040	191940-4	CARBON BRUSH CB-411		1				
042	687124-5	STRAIN RELIEF		1				
043	266326-2	TAPPING SCREW 4X18		2				
044	645219-0	NOISE SUPPRESSOR		1				
045	682569-2	CORD GUARD 8-85		1				

